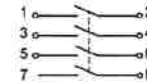
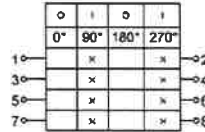




Contact diagram:

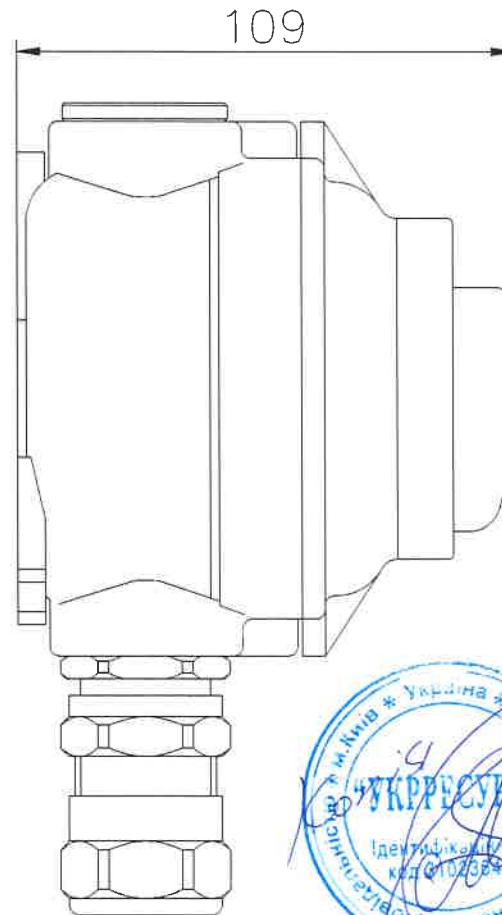
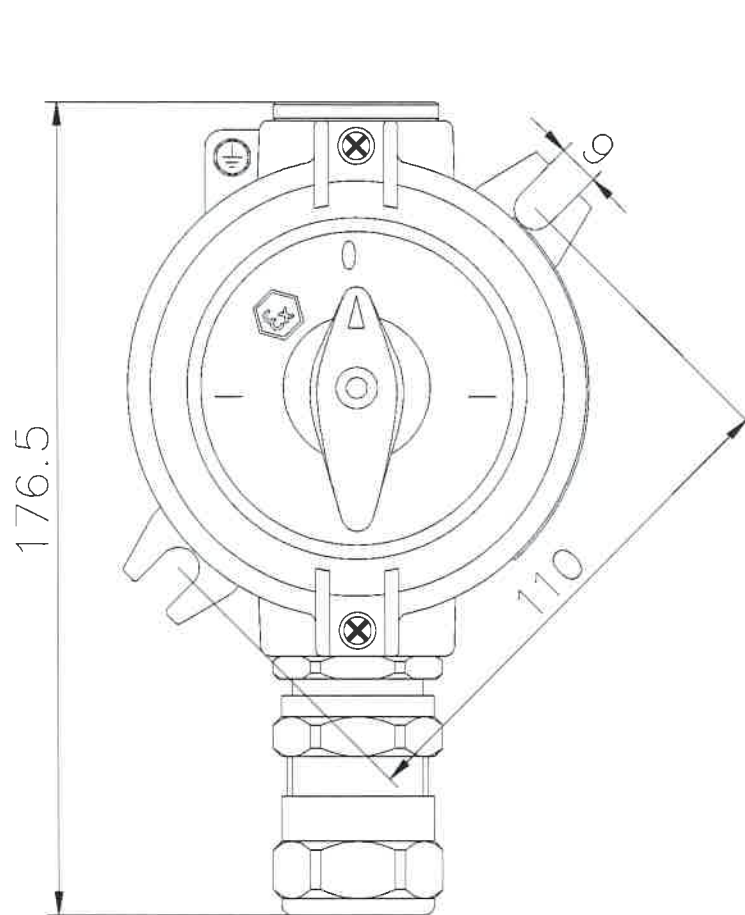
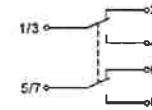
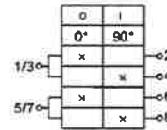
BZM-16B



BZM-25B

BZM-16D

BZM-25D



GENERAL NOTE

- Technical requirements:
1. Enclosure is made of aluminium alloy, powder coated, grey (RAL7040);
 2. Ex-mark: $\text{Ex} \text{ II G Ex d IIC T6 Gb}$;
 3. Degree of protection: IP66;
 4. Internal & external earth;
 5. Rated voltage: Max. 250V AC;
 6. Rated current: 25A;
 7. Ambient temperature: $-60^{\circ}\text{C} \sim +60^{\circ}\text{C}$;
 8. Exposed fastener: Stainless steel;
 9. Without terminals;
 10. Gland: DQM-II, Armored, nickel plated brass, cable wiring;

Gland O.D.:
DQM-I/25Ax1.5(709004):
Inlet: $\varnothing 9.5 \sim 16\text{mm}$, outlet: $\varnothing 6.5 \sim 10.5\text{mm}$;

QTY. SET

REV. 0	08/08/2019	FOR APPROVAL	Albert	Leon	ZJ
REV	DATE	DESCRIPTION	PREPARED	CHECKED	APPROVED

UA.UKRRES
WAROM TECHNOLOGY INCORPORATED COMPANY
555 Baoqian Road, Jiading, Shanghai, China
Tel: 86-021-39977085, 86-021-39977086 Fax: 86-021-39977077

Explosion-proof Illumination Switches
BZM

QUOTED FROM
DWC.No. HRWK3-190808-02-003