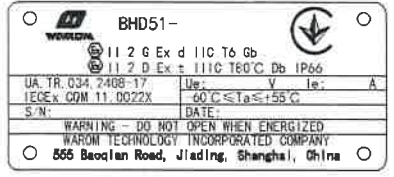




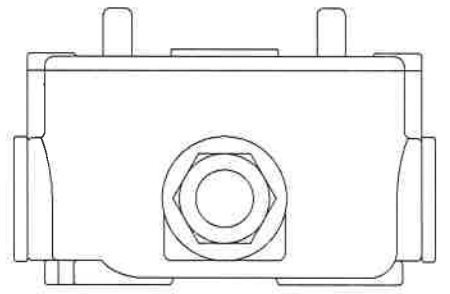
NO.	NAME	MODEL	QTY	REMARKS
1	Terminals	MBK3/E-Z	6	SHUANGBENG

GENERAL NOTE	
Technical requirements: 1.Enclosure is made of aluminium alloy,powder coated,RAL1021; 2.Ex-mark: II 2 G Ex d IIC T6 Gb; 3.Degree of protection:IP66; 4.Internal & external earth; 5.Rated voltage:500VAC; 6.Terminals: Suitable for wire sections 2.5sq mm; 7.Gland:DQM-II,Unarmored,nickel plated brass,cable wiring;	
Gland O.D.: DQM-II/M25x1.5(708003); Inlet:φ12.5~19.5mm;	

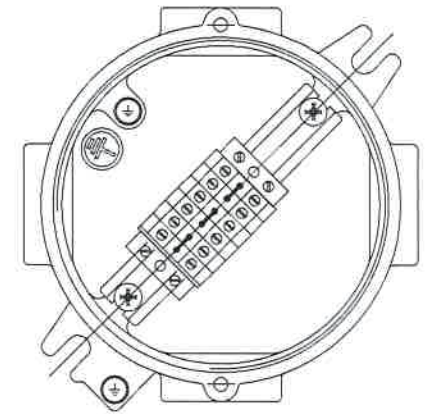
Nameplate



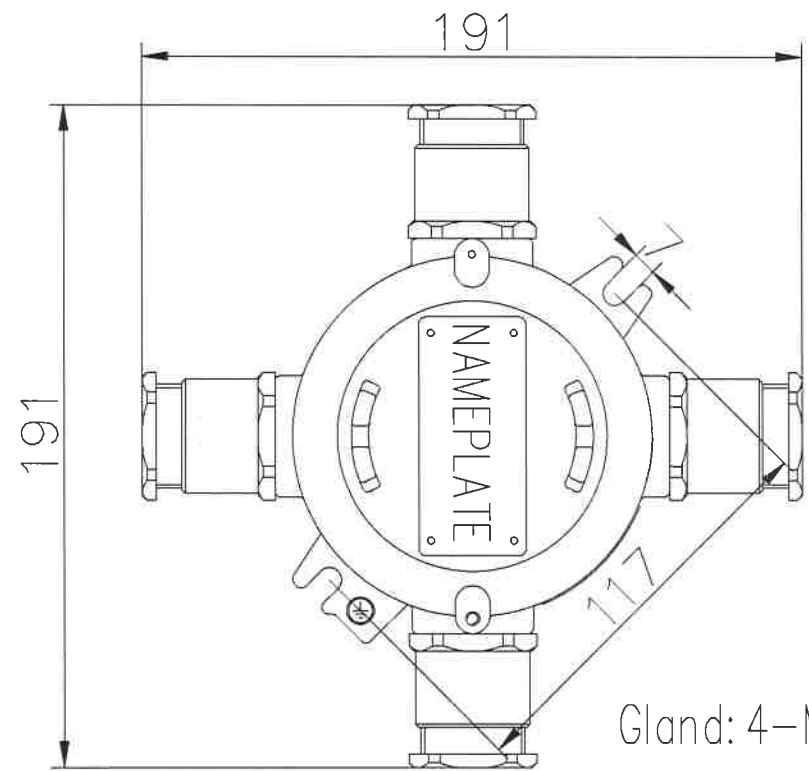
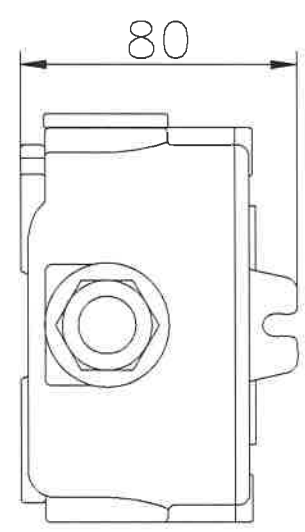
Bottom view



Remove the cover



Left view



Gland: 4-M25x1.5,Unarmored

QTY.	15+9 SET
------	----------



REV.	DATE	DESCRIPTION	PREPARED	CHECKED	APPROVED
REV.0	17/12/2019	EDS APPROVAL	Leon	ZJ	周*

UA.UKRRES
 WAROM TECHNOLOGY INCORPORATED COMPANY
 555 Baoqian Road, Jiading, Shanghai, China
 Tel: 86-021-39977055, 86-021-39977056 Fax: 86-021-39977077

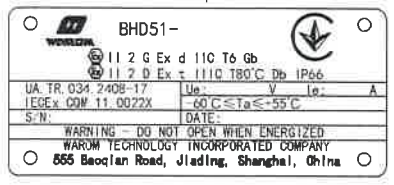
Explosion-Proof Junction Box	
BHD51-D/M25x1.5	
QUOTED FROM	
DWG.No.	HRWK3-191217-01-001



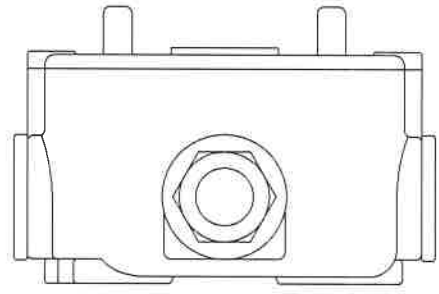
NO.	NAME	MODEL	QTY	REMARKS
1	Terminals	MBK3/E-Z	6	SHUANGBENG

GENERAL NOTE
Technical requirements: 1. Enclosure is made of aluminium alloy, powder coated, RAL1021; 2. Ex-mark: II 2 G Ex d IIC T6 Gb; 3. Degree of protection: IP66; 4. Internal & external earth; 5. Rated voltage: 500VAC; 6. Terminals: Suitable for wire sections 2.5sq mm; 7. Gland: DQM-II, Unarmored, nickel plated brass, cable wiring;
Gland O.D.: DQM-II/M25x1.5(708003); Inlet: ϕ 12.5~19.5mm;

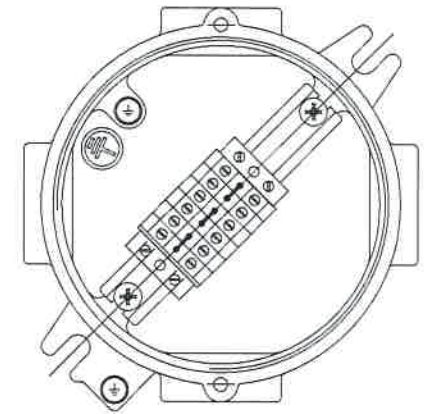
Nameplate



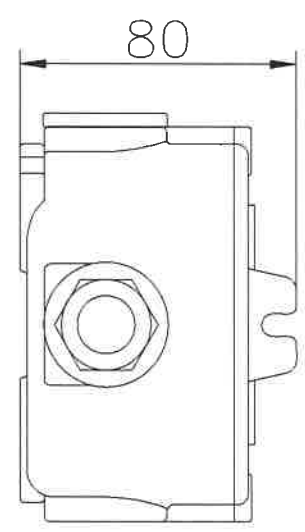
Bottom view



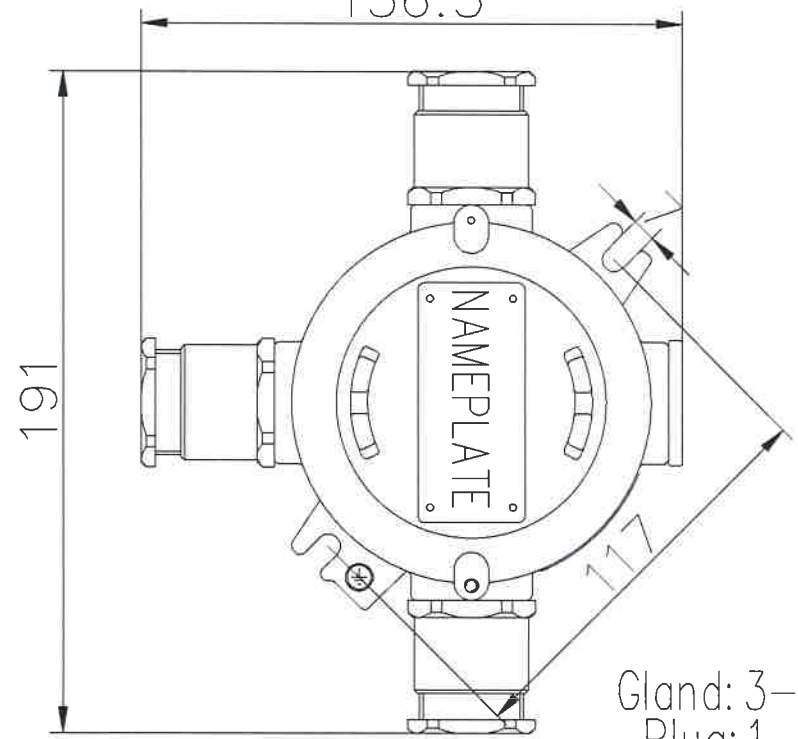
Remove the cover



Left view

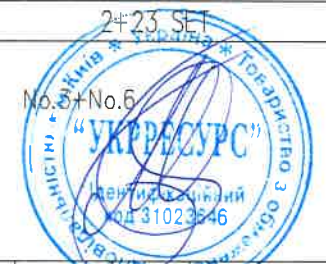


156.5



Gland: 3-M25x1.5, Unarmored
 Plug: 1-M25x1.5, Aluminum

QTY. 2+23 SET



REV.D	DATE	DESCRIPTION	PREPARED	CHECKED	APPROVED
17/12/2019		FOR APPROVAL			

UA.UKRRES

WAROM TECHNOLOGY INCORPORATED COMPANY
 555 Baoqian Road, Jiading, Shanghai, China
 Tel: 86-021-39977065, 86-021-39977086 Fax: 86-021-39977077

Explosion-Proof Junction Box
 BHD51-D/M25x1.5

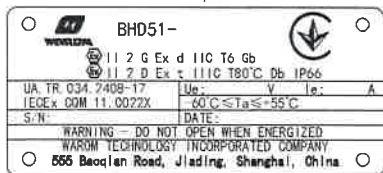
QUOTED FROM	
DWG.No.	HRWK3-191217-01-002



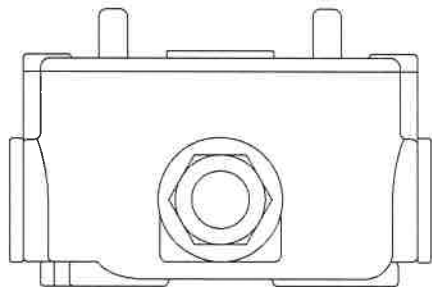
NO.	NAME	MODEL	QTY	REMARKS
1	Terminals	MBK3/E-Z	6	SHUANGBENG

GENERAL NOTE	
Technical requirements: 1.Enclosure is made of aluminium alloy,powder coated,RAL1021; 2.Ex-mark: II 2 G Ex d IIC T6 Gb; 3.Degree of protection:IP66; 4.Internal & external earth; 5.Rated voltage: 500VAC; 6.Terminals: Suitable for wire sections 2.5sq mm; 7.Gland: DQM-II,Armored,nickel plated brass,cable wiring;	
Gland O.D.: DQM-II/M20Cx1.5(709003): Inlet: $\phi 12.5 \sim 20.5\text{mm}$,outlet: $\phi 10 \sim 14.5\text{mm}$;	

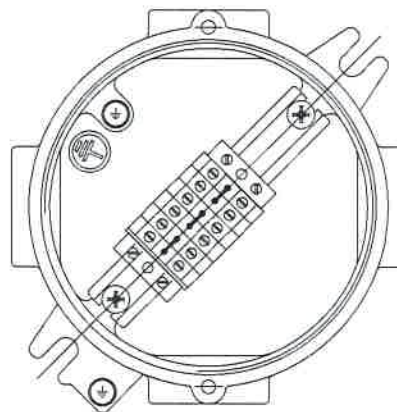
Nameplate



Bottom view



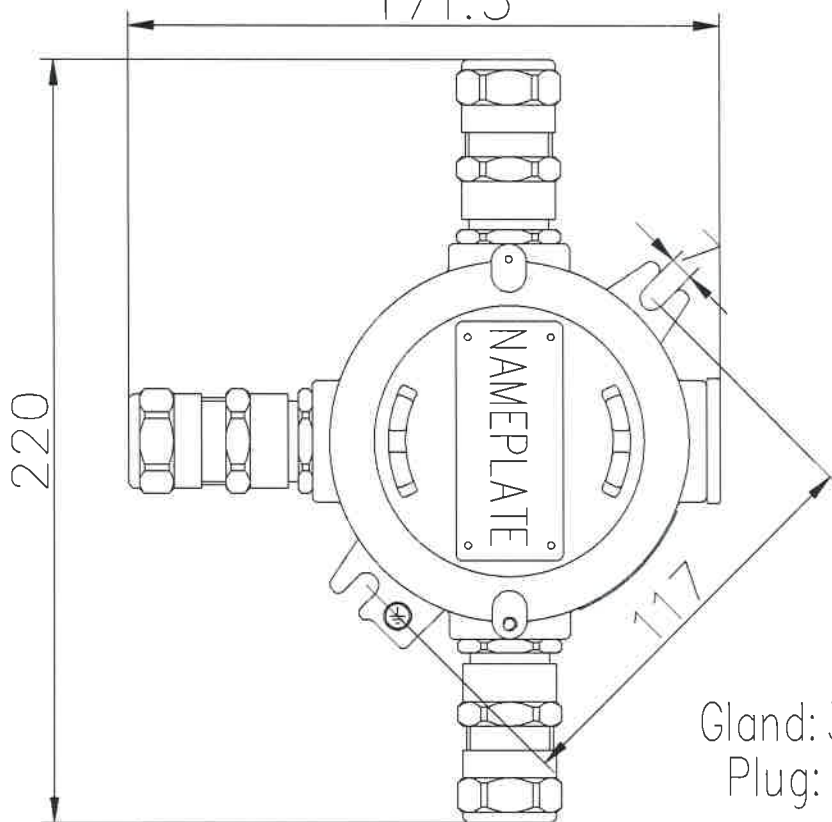
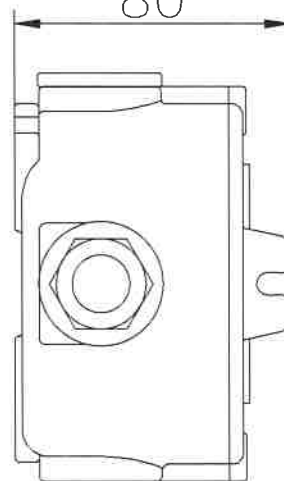
Remove the cover



171.5

Left view

80



Gland: 3-M20Cx1.5,Armored
 Plug: 1-M20x1.5,Aluminum

QTY. 12 SET



REV.	DATE	DESCRIPTION	PREPARED	CHECKED	APPROVED
REV.0	17/12/2019				

UA.UKRRES
 WAROM TECHNOLOGY INCORPORATED COMPANY
 555 Baoqian Road, Jiading, Shanghai, China
 Tel: 86-021-39977085, 86-021-39977086 Fax: 86-021-39977077

Explosion-Proof Junction Box
 BHD51-D/M20x1.5
 QUOTED FROM
 DWG.No. HRWK3-191217-01-003